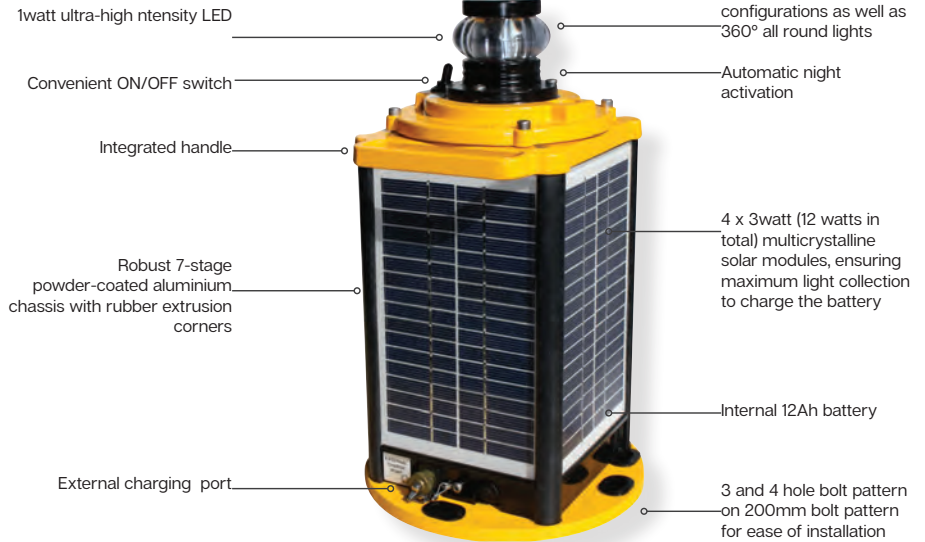


# 3NM Solar Barge Light

BargeSafe™ Solar 3NM



Available with optional Peep-Light



## Meets UL 1104 Applicable Sections for a 3NM Barge Light & COLREG-72 Compliant

The Sealite BargeSafe™ Solar 3NM solar-powered LED barge light is certified to UL 1104 and COLREG-72 photometrics, and is completely self-contained with solar modules and battery.

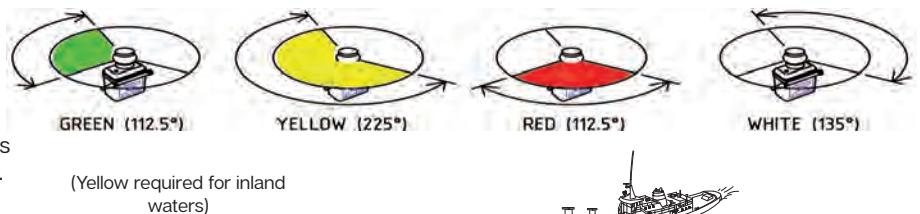
The LED barge light is one of the most advanced in its class, and incorporates a host of innovative features designed to make the unit extremely user-friendly.

The world-class LED lens is designed by Sealite and achieves precise intensity and sectoring requirements from a single LED light source. This design helps achieve a lower operational current compared with alternative LED barge lights – making the unit ultra efficient.

The unit is made from cast aluminium and subject to 7-stage powder-coating coloured for easy identification of light output colour, and rubber extrusions – offering enormous impact resistance and long operational life. Four (4) premium-grade solar modules are integrated into the assembly, and mounted to collect sunlight at all angles.

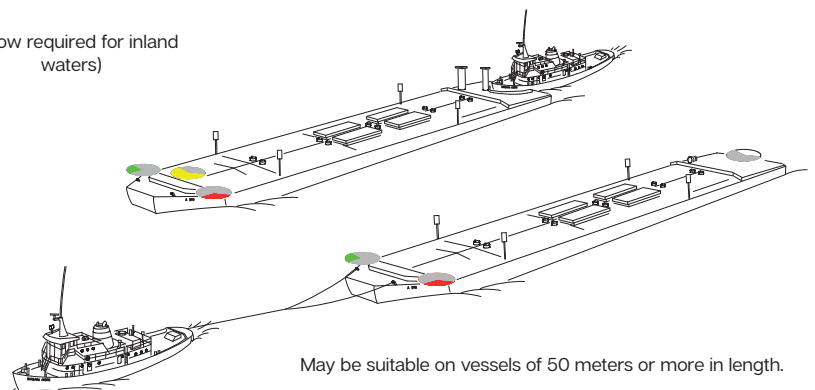
### All Round 360° Light Configuration

The Sealite BargeSafe™ Solar 3NM is also available as a 360 degree all round light with either flashing or steady-on flash characteristics. Please note, this configuration is only available when fitted with a 12 volt battery.



### Optional Peep-Light

Sealite BargeSafe™ Solar 3NM is available with an optional Peep-Light for the SL-BLSY-3-S light to assist in the navigation of inland waterways. This blue steady-on light is used to guide mariners when manoeuvring the barge into dock and to help determine the swing of the bow when viewed from the stern. The Peep-Light comes standard with 12V rechargeable battery connection.



### User Advantage

- 3NM visible range
- Certified to UL 1104 & COLREG-72 photometrics
- All components user-replaceable in the unlikely event of damage
- Complete self-contained solar/battery light
- LED technology
- Precise light sectoring achieved via Sealite's world-class in-house designed lens
- Installs in seconds
- Low power consumption

### Reliable

- IP67 waterproof
- Robust

## Technical Specifications \*

### BargeSafe™ Solar 3NM

#### Light Characteristics

Light Source	Using 1 watt ultra-high intensity LED (sectored configuration).
Available Colours	Red, Green, White, Yellow as per UL 1104 & COLREG-72
Maximum Available Intensity (cd) <sup>†</sup>	As per UL 1104 & COLREG-72
Visible Range (NM)	AT @ 0.74: >3NM as per UL 1104 & COLREG-72 AT @ 0.85: >3.5NM as per UL 1104 & COLREG-72
Horizontal Output (degrees)	Red - 112.5° Green - 112.5° White - 135° Yellow - 225° as per UL 1104 & COLREG-72.
Flash Characteristics	As per UL 1104 & COLREG-72 (steady-on & flashing)
LED Life Expectancy (hours)	>100,000

#### Electrical Characteristics

Current Draw (mA)	Minimal
Circuit Protection	Integrated
Nominal Voltage (V)	12
Temperature Range	-40 to 80°C

#### Solar Characteristics

Solar Module Type	Multicrystalline
Output (watts)	12 (4 x 3watt)
Charging Regulation	Microprocessor controlled

#### Power Supply

Battery Type	SLA (Sealed Lead Acid)
Battery Capacity (Ah)	12
Nominal Voltage (V)	12
Autonomy (days)	>24

#### Physical Characteristics

Battery Housing	7-stage powder-coated aluminium chassis with UV-stabilised rubber corners & gaskets
Lens Material	Acrylic
Lens Mount & Top	Anodised aluminium
Lens Design	Internal single LED cavity with individual sectoring compartments to meet all UL 1104 & COLREG-72 angles for light output. Internal 3 x LED cavities to suit 360° all round light configuration
Mounting	3 & 4 hole 200mm bolt pattern
Height (mm/inches)	390 / 15 <sup>3</sup> / <sub>8</sub>
Width (mm/inches)	233 / 9 <sup>1</sup> / <sub>4</sub>
Mass (kg/lbs)	9.2 / 20 <sup>1</sup> / <sub>2</sub>
Product Life Expectancy	Up to 12 years ^

#### Certifications

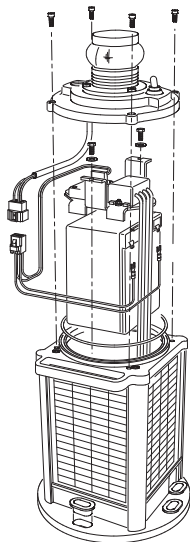
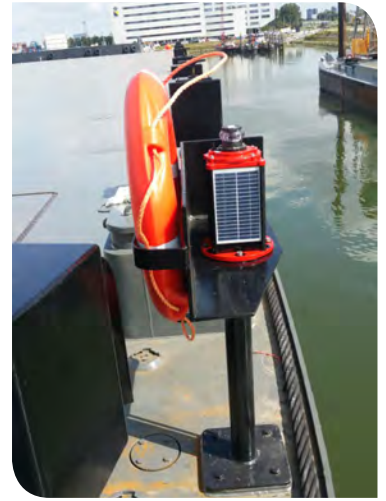
Approvals	UL 1104, COLREG-72
IALA	Signal colours compliant to IALA E-200-1
Quality Assurance	ISO 9001:2015
Waterproof	IP67

#### Intellectual Property

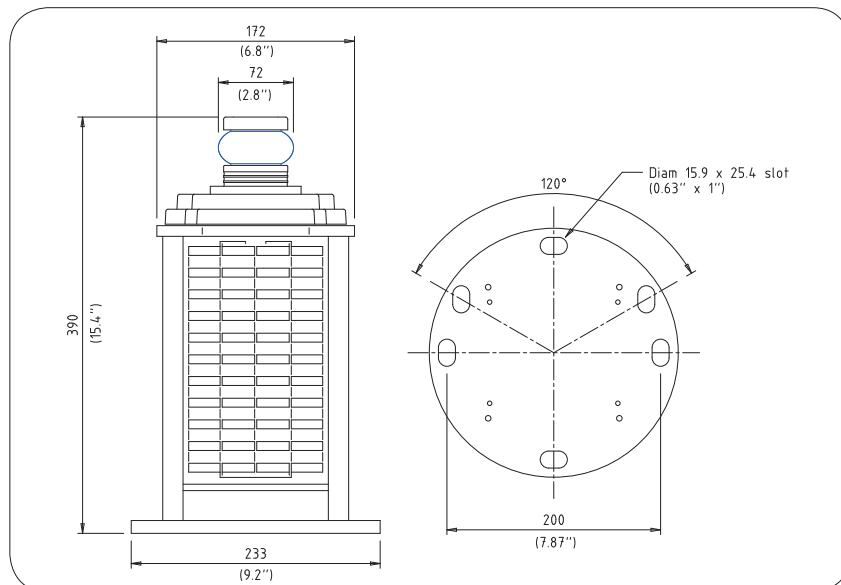
Trademarks	SEALITE® is a registered trademark of Sealite Pty Ltd BargeSafe™ is a trademark of Sealite Pty Ltd
------------	---

#### Warranty \*

1 year



Convenient user-replaceable battery



We believe technology improves navigation™