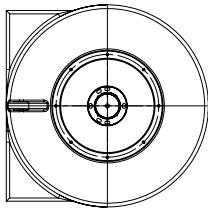


**SL-B1200-FW**  
**Marker Buoy Suited to Fast Water**  
**Installation & Service Manual**

## Product Features & Technical Specifications

Able to be fitted with SL60, SL70 or SL75 Marine Lanterns

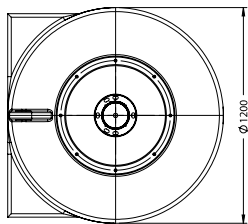
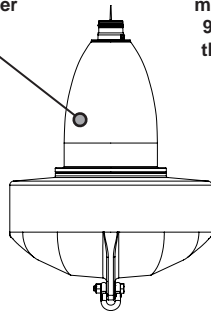
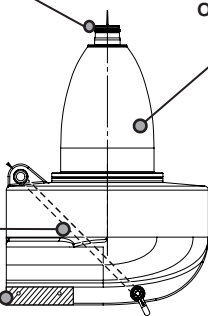


Optional tower shape available

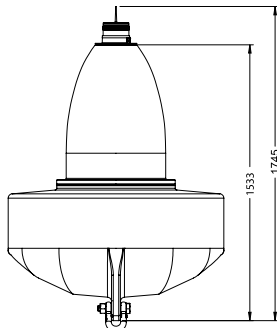
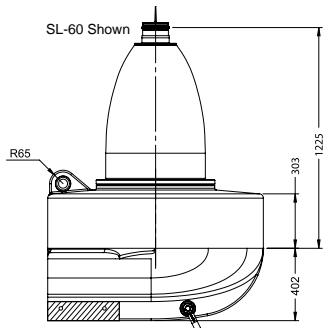
Rotationally moulded to 9mm wall thickness

Internal bracing connects mooring and lifting eyes

Trim Bars



SL-60 Shown



**Table of Contents**

**Introduction**.....Page 4

**Sealite Buoy Division** .....Page 4

**Why Choose Polyethylene Buoys?** .....Page 4

**Mooring Requirements & Regulations** .....Page 4

**SL-B1200-FW Marker Buoy**.....Page 5

    Product Components.....Page 6

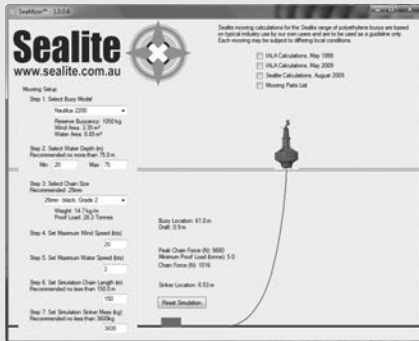
    Assembly Instructions .....Page 7

    Mooring Instructions .....Page 8

**Marine Buoy Maintenance** .....Page 10

**Sealite Buoy Warranty** .....Page 11

**SEAMOR™ - SEALITE MOORING CALCULATOR**



As a service to valued customers, Sealite has developed an advanced mooring calculator based in IALA guidelines and experience from major users.

The system simulates site mooring based on local conditions.

Contact Sealite today for a FREE copy.

Version No.	Description	Date	Author	Approved
1.0	Manual Launch	March 2017	G.Percy	M.Nicholson



## Introduction

**Congratulations! By choosing to purchase a Sealite Buoy, you have become the owner of one of the most advanced rotationally-moulded polyethylene marine buoys in the world.**

Sealite Pty Ltd has been manufacturing buoys for over 25 years, and particular care has been taken to ensure your buoy gives years of service.

As a commitment to producing the highest quality products for our customers, Sealite has been independently certified as complying with the requirements of ISO9001:2008 quality management system.

By taking a few moments to browse through this booklet, you will become familiar with the versatility of your buoy, and be able to maximise its operating function.

## Sealite Buoy Division

Sealite marine buoys are manufactured on-site from rotationally-moulded UV-stabilised polyethylene, and are designed to offer a low-maintenance, high visibility solution to marine navigation.

The Sealite buoy division provides turn-key production of navigation buoys. From tooling development, raw materials selection, and production, to final testing and inspection, Sealite guarantees superior quality and fast turn-around times.

Sealite's buoy products are available in a wide range of configurations and sizes, and can be economically shipped worldwide.

## Why Choose Polyethylene Buoys?

- No painting
- Inhibits growth
- Increased interval between servicing
- Routine maintenance on location
- Easily repaired in the unlikely event of damage
- Lightweight for ease of deployment and maintenance
- Environmentally friendly – no use of toxic antifouling paint

## Mooring Requirements & Regulations

Please contact your local authority for any specific requirements regarding the deployment of buoys. IALA also has guidelines and recommendations that should be followed.

All information given in this manual is advisory only. Please consult with your local authority before deploying your buoy products.

Local conditions that need to be considered include:-

- Water depth
- Maximum currents
- Maximum wind speeds
- Sinker size and weight

# SL-B1200-FW Marker Buoy

*The Sealite SL-B1200-FW is a large 1200mm diameter marker buoy designed for a variety of applications and is particularly suited to fast water currents of up to 8 knots.*

*The unique one piece float section has an internally integrated bow and keel which ensures the buoy remains stable during fast currents.*

## SPECIFICATIONS\* \*

## SL-B1200-FW

### General Characteristics

Available Colours  
Focal Plane Height (mm/inches)  
Total Float Volume (ltrs/US gallon)  
Reserve Buoyancy (kgs/lbs)  
Maximum Mooring Load (kgs/lbs)  
Draft, Maximum (mm/inches)  
Freeboard, Minimum (mm/inches)  
Safe Working Load, 1pt (kg/lbs)

Red, Green, White, Yellow as per IALA Recommendations  
1225 / 48  
615 / 162.5  
78 / 172  
78 / 172  
402 / 15<sup>53</sup>/<sub>64</sub>  
300/ 11.8  
2300/ 5070

### Physical Characteristics

Material  
Wall Thickness (mm/inches)  
Ballast (kg/lbs)  
Filling  
Height (mm/inches)  
Width (mm/inches)  
Mass (kg/lbs)  
Product Life Expectancy

Rotationally-moulded UV-stabilised virgin polyethylene  
9 / <sup>3</sup>/<sub>8</sub>  
55 / 121.3 (Internal)  
Closed-cell polyurethane foam (float section)  
1745 / 68  
1200 / 47<sup>1</sup>/<sub>4</sub>  
142 / 313  
Up to 12 years

### Certifications

IALA  
Quality Assurance

Surface colours compliant to IALA E-108  
ISO9001:2008

### Intellectual Property

Trademarks

SEALITE® is a registered trademark of Sealite Pty Ltd  
5 year

### Warranty \*

### Lantern Options

### Options Available

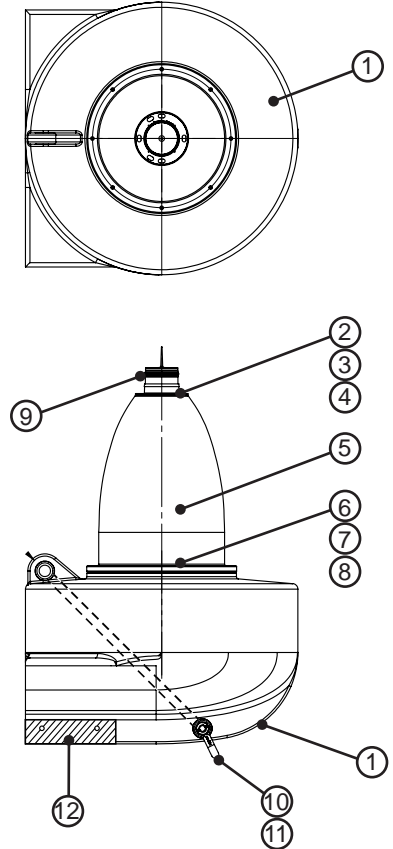
Sealite SL-15, SL-60, SL-70, SL-75 lantern  
• Mould-in graphics

• Specifications subject to change or variation without notice  
• \* Subject to standard terms and conditions



**SL-B1200-FW Product Components**

No	Description	Qty
1	SL-B1200-FW Float (with internal fill)	1
2	S/S Socket Head Cap Screw, Ø8 x 20 (min Grade 70)	7
3	S/S Spring Washer, Ø8	7
4	S/S Washer, Ø8 x 31 OD	7
5	SL-B1250 Cone or Can	1
6	S/S Bolt, Ø10 x 45 (min Grade 70)	8
7	S/S Spring Washer, Ø10	8
8	S/S Penny Washer, Ø10 x 31 OD	8
9	Lantern (SL60 shown)	1
10	SL-B1750 Lug Bush	2
11	Ø32 Grade S Shackle	Optional
12	Trim Bar with Hardware	As Required





## **SL-B1200-FW Assembly Instructions**

### **Check Components**

- Unload all components from container or crate
- Check all components are complete and correct
- Contact your local Distributor or Sealite for any missing parts.

### **Fitting Top Section (Can or Cone)**

- Position the buoy so the keel is on the ground and the top surface is facing up. Steady using chocks.
- Secure the Can or Cone using 8 x M8-20mm Long Socket Head Cap Screws with Penny and Spring Washers.

### **Fitting the Trim Bars**

- Fit trim bars when required by mooring conditions using supplied hardware.
- Tighten attaching Bolts until firm.

### **Fitting Lights to the Buoy (optional)**

- Position the buoy so the keel is on the ground and the top surface is facing up.

**Follow the light installation manual and check that the light activates and flashes correctly before fitting to the buoy.**

- Position the Light on the top of the can or cone.
- Secure the light to the Can or Cone using 4 x M8-20mm Long Socket Head Cap Screws and 4 x Flat and Spring Washers.

## SL-B1200-FW Mooring Instructions

### Mooring Recommendations

Water Depth, D (m) (High Tide plus half wave height)	Recommended Chain Size, Grade L Anchor (mm)	Recommended Chain Length (m)
1-6	20	2 x (Water Depth)
6-10	16	2 x (Water Depth)
10-15	13	2 x (Water Depth)

#### NOTE:

Due to each installation being unique, the size and weight of the sinker, length and size of chain and any counterweights will need to be determined in conjunction with the local Authorities.

The Sealite SLB1200 Marker Buoy is designed to ride on the current in a vertical position, this will allow any lantern fitted to work correctly and be seen from any direction.

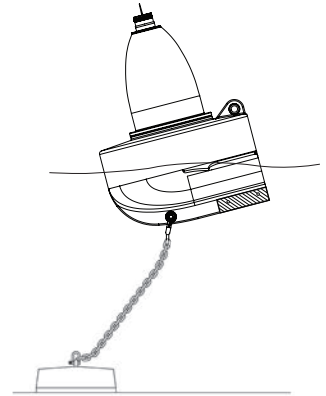
#### If the buoy is riding forward;

*Sealite would recommend the following*

- The Mooring Chain may be too heavy for mooring conditions. When the current is flowing the buoy is leaning into the current rather than riding on the current.

*Try the following suggestions*

- Fit a lighter mooring chain (smaller diameter).
- Add trim bars (counterweights) to the back of the keel.



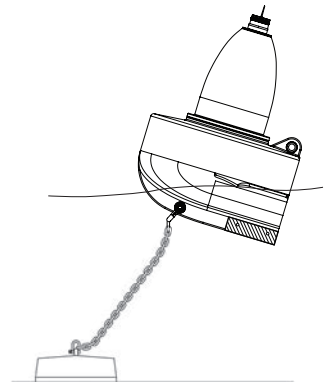
#### If the buoy is riding aft;

*Sealite would recommend the following*

- The Mooring Chain may be too light for mooring conditions, or counter weights are too heavy. When the current is flowing the buoy is leaning away from the current rather than riding on the current.

*Try the following suggestions*

- Fit a heavier mooring chain (larger diameter).
- Reduce the weight of Trim Bars (counterweights) on the keel if fitted.



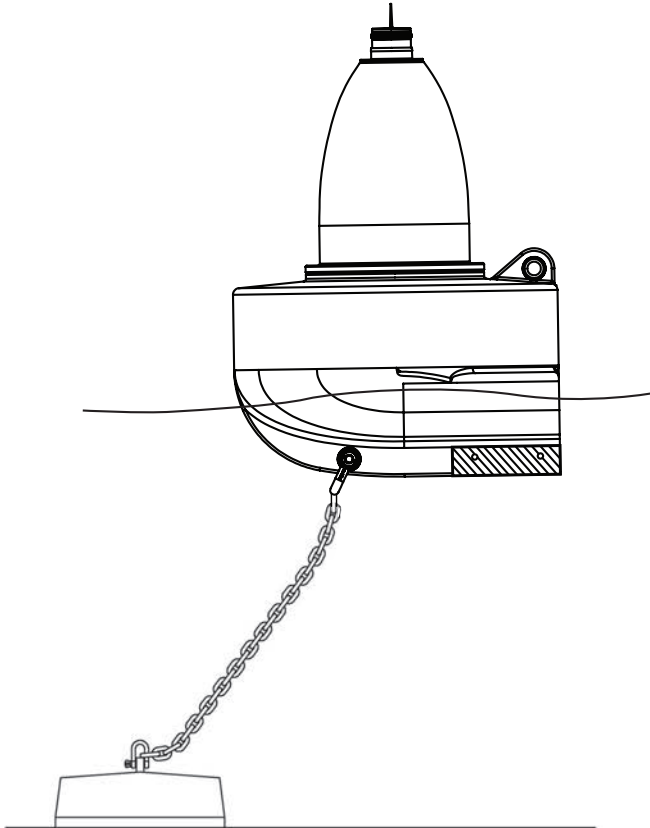


**The buoy is riding correctly;**

- The buoy is vertical in the water, with a light sitting horizontal.
- The chain is correctly sized, the buoy is not being dragged under the water or bobbing excessively.
- The counterweight on the keel is working correctly, being sized correctly for the prevailing conditions.
- The sinker is weighted correctly to keep the buoy correctly positioned during all tidal currents

**NOTE:**

When using a synthetic mooring line it may be necessary to fit a tail chain between the top end of the line and buoy mooring point for correct trim.





## **Marine Buoy Maintenance**

Sealite Marine Buoys are designed to require very little maintenance. We recommend the buoy be inspected annually. Inspection may need to increase depending on the local conditions and the position of the buoy.

IALA Recommendation AISM E-107 suggests moorings are inspected annually or more frequently according to local conditions.

### **Marine Buoy – Annual Maintenance**

- Visually inspect buoy for damage
- Inspect the top mark for any damage. Repair any broken or damaged section.
- Clean buoy of animal debris

### **Mooring – Annual Maintenance**

- Check and clear the tail and ride chains from shells and algae.
- Check for wear on any shackle axis and check the tapered pins. Any worn shackles must be replaced.
- Check the free movement of each swivel around its head. If any swivel head sticks it must be replaced.
- Check every link of the thrash length of the chain. Check the diameter of the nips and sides and also inspect the welds on every link.
- If depth allows, a worn riding chain may be reversed.
- Change a chain when any link shows excessive wear.
- Chain must be replaced if any link wears to less than 3/5 of the original diameter.

### **Mooring – Biannual Maintenance**

- Inspect the ground chain and sinker.

### **Lanterns – Maintenance**

- Please refer to the Installation Manual for the specific Marine Lantern fitted to the Buoy.

## Sealite Buoy Warranty V2.3

### Activating the Warranty

Upon purchase, the Sealite Pty Ltd warranty must be activated for recognition of future claims. To do this you need to register on-line. Please complete the Online Registration Form at:

www.sealite.com

**Sealite Pty Ltd will repair or replace your buoy product in the event of failure for a period of up to twelve months (small buoy products less than 1500mm diameter) & a period of up to five years (large buoy products 1500mm diameter & larger) from the date of purchase.**

**The unit must be returned to Sealite freight prepaid.**

### Warranty Terms

1. Sealite Pty Ltd warrants that any rotationally-moulded buoy products ("Buoy Products") will be free from defective materials and workmanship under normal and intended use, subject to the conditions hereinafter set forth, for a period of twelve (12) months for small buoy products up to under 1500mm diameter, and for a period of five (5) years for large buoy products including and over 1500mm in diameter from the date of purchase by the original purchaser.(excluding the consumables such as Anodes).
2. Sealite Pty Ltd warrants that any ancillary products and accessories (e.g. Mooring Pin, Mooring Sleeve, Roller Pin, Chains & Shackles, Sinkers, etc.), not mentioned in other clauses in this section, will be free from defective materials and workmanship under normal and intended use, subject to the conditions hereinafter set forth, for a period of twelve (12) months from the date of purchase by the original purchaser subject to satisfactory installation in accordance with industry best practice.
3. Sealite Pty Ltd will repair or replace, at Sealite's sole discretion, any Buoy Products found to be defective in material and workmanship in the relevant warranty period so long as the Warranty Conditions (set out below) are satisfied.

### Warranty Conditions

This Warranty is subject to the following conditions and limitations;

1. The warranty is applicable to buoys manufactured from 1/1/2009.
2. The warranty is void and inapplicable if:
  - a. the product has been used or handled other than in accordance with the instructions in the owner's manual and any other information or instructions provided to the customer by Sealite;
  - b. the product has been deliberately abused, or misused, damaged by accident or neglect or in being transported; or
  - c. the defect is due to the product being repaired or tampered with by anyone other than Sealite or authorised Sealite repair personnel.
3. The customer must give Sealite Pty Ltd notice of any defect with the product within 30 days of the customer becoming aware of the defect.
4. No modifications to the original specifications determined by Sealite shall be made without written approval of Sealite Pty Ltd.
5. The product must be packed and returned to Sealite Pty Ltd by the customer at his or her sole expense. Sealite Pty Ltd will pay return freight of its choice. A returned product must be accompanied by a written description of the defect and a photocopy of the original purchase receipt. This receipt must clearly list model and serial number, the date of purchase, the name and address of the purchaser and authorised dealer and the price paid by the purchaser. On receipt of the product, Sealite Pty Ltd will assess the product and advise the customer as to whether the claimed defect is covered by this warranty.
6. Sealite Pty Ltd reserves the right to modify the design of any product without obligation to purchasers of previously manufactured products and to change the prices or specifications of any product without notice or obligation to any person.

### Limitation of Liability

To the extent permitted by acts and regulations applicable in the country of manufacture, the liability of Sealite Pty Ltd under this Warranty will be, at the option of Sealite Pty Ltd, limited to either the replacement or repair of any defective product covered by this Warranty. Sealite will not be liable to Buyer for consequential damages resulting from any defect or deficiencies.

### Limited to Original Purchaser

This Warranty is for the sole benefit of the original purchaser of the covered product and shall not extend to any subsequent purchaser of the product.

### Miscellaneous

Apart from the specific warranties provided under this warranty, all other express or implied warranties relating to the above product is hereby excluded to the fullest extent allowable under law. The warranty does not extend to any lost profits, loss of good will or any indirect, incidental or consequential costs or damages or losses incurred by the purchaser as a result of any defect with the covered product.

### Warrantor

Sealite Pty Ltd has authorised distribution in many countries of the world. In each country, the authorised importing distributor has accepted the responsibility for warranty of products sold by distributor. Warranty service should normally be obtained from the importing distributor from whom you purchased your product. In the event of service required beyond the capability of the importer, Sealite Pty Ltd will fulfil the conditions of the warranty. Such product must be returned at the owner's expense to the Sealite Pty Ltd factory, together with a photocopy of the bill of sale for that product, a detailed description of the problem, and any information necessary for return shipment.

Information in this manual is subject to change without notice and does not represent a commitment on the part of the vendor.  
Sealite products are subject to certain Australian and worldwide patent applications.

**Other Sealite Products Available**



**Marine Lanterns  
(1-19NM)**



**Monitoring  
& Control Systems**



**Bridge & Barge Lights**



**Marine Buoys  
(up to 3mt in diameter)**



**Area Lighting**



**Mooring Systems  
& Accessories**