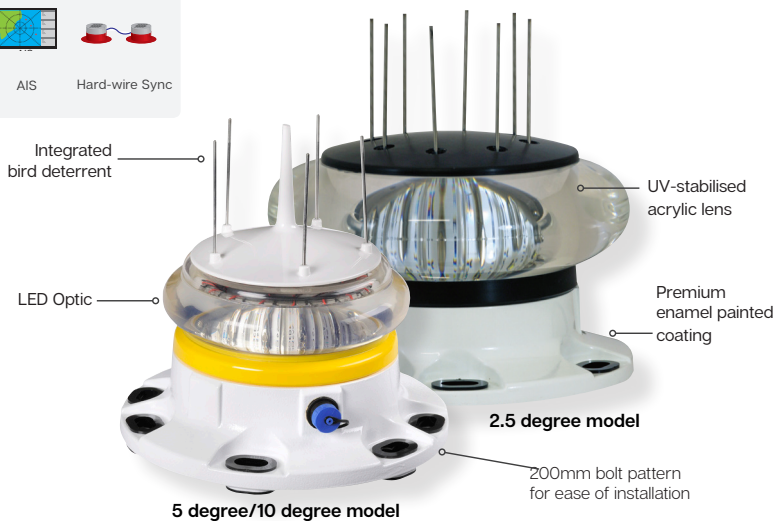


6–13NM Marine Lanterns

SL-155 Series – SL-155-2.5D, SL-155-5D & SL-155-10D



The SL-155 Series are 6-13NM medium range marine lanterns, available in 2.5, 5, or 10 degree vertical distributions.



Small Form Factor

The single tier SL-155 with multiple intensity adjustments, high levels of efficiency, and minimal wind loading, offers significant advantages over other lens stack assemblies.

Advanced PC or IR Programming

Sealite's convenient PC Configuration Tool or IR programmer allows a host of features to be user set including;

- Multiple intensity settings
- 310 flash settings including custom character
- Automatic effective intensity adjustment
- Adjustable on/off lux levels
- Low battery threshold
- GPS synchronisation offset
- Alarm conditions



LED lens

Optional GPS Synchronisation

For flash synchronisation of lanterns a GPS module may be fitted.

When lanterns flash in synchronisation they can be clearly distinguished from other nav aids and confusing background lighting – ideal for rivers and channel marking.



IR Remote Programmer

Optional GSM Monitoring & Control

The SL-155 lanterns may also be fitted with a GSM Cell-Phone Monitoring and Control System – enabling users to access real-time diagnostics data and change lantern settings via cell-phone. The system can also be configured to send out alarm SMS text messages to designated cellular telephone numbers. Users can also have alarms and reports sent to designated email addresses.

Optional Type 1 or Type 3 AIS - Integrated or External

The SL-155 lanterns (5 & 10 degree models) are available with a class-leading integrated, low-powered Type 1 or Type 3 AIS.

When fitted, the AIS is encapsulated within the body of the SL-155 to maintain the weatherproof integrity and come standard with GPS.



5 degree/10 degree model with integrated AIS

All 3 models can also be ordered with an external Type 1 or Type 3 AIS transponder if required, along with various solar power options.

Reliable

- Over 9,000cd luminous intensity white
- Compact single tier lantern up to 13NM visible range
- PC or IR Programmer for setup, diagnostic & testing
- Internal or external photocell options
- User configurable day/night lux levels
- Advanced remote monitoring features
- Wide operating voltage range 10 – 30VDC
- Internal data-logging for long term retention of key operational parameters & alarm conditions
- Hardwire synchronisation supporting RS485, RS422
- General purpose input & output

Technical Specifications*

	5° & 10° Models (SL-155-5D & SL-155-10D)	2.5° Model (SL-155-2.5D)
Light Characteristics		
Light Source	High efficiency LEDs	High efficiency LEDs
Available Colours	Red, Green, White, Yellow	Red, Green, White, Yellow
Maximum Luminous Intensity (cd)†	5 degree model: Red - 2765 Green - 2796 White - 4611 Yellow - 2778 10 degree model: Red - 2581 Green - 2213 White - 3910 Yellow - 2041	2.5 degree model: Red - 7357 Green - 6052 White - 11505 Yellow - 5414
Visible Range (NM)	AT @ 0.74: 6–13 AT @ 0.85: 7.8–19.2	AT @ 0.74: 6–13 AT @ 0.85: 7.8–19.2
Horizontal Output (degrees)	0 - 360	0 - 360
Vertical Divergence (degrees)	5 or 10	2.5
Available Flash Characteristics	Up to 310 including 256 IALA recommended, & 1 custom	Up to 310 including 256 IALA recommended, & 1 custom
Intensity Adjustments	User adjustable	User adjustable
LED Life Expectancy (hours)	>100,000	>100,000
Electrical Characteristics		
Average Power (W)	Variable up to 18	Variable up to 22
Circuit Protection	Polarity protected	Polarity protected
Nominal Voltage (VDC)	12–24	12–24
Temperature Range	-40 to 80°C	-40 to 80°C
Physical Characteristics		
Body Material	Premium enamel painted coating	Premium enamel painted coating
Lens Material	UV-stabilised acrylic	UV-stabilised acrylic
Lens Diameter (mm/inches)	171 / 6¾	224 / 8¾
Lens Design	Multiple LED optic	Multiple LED optic
Mounting	3 & 4 hole 200mm bolt pattern	3 & 4 hole 200mm bolt pattern
Height (mm/inches)	217 / 8½	231 / 9¼
Width (mm/inches)	230 / 9	230 / 9
Mass (kg/lbs)	5 / 11	5.5 / 12¼
Product Life Expectancy	Up to 12 years	Up to 12 years
Environmental Standards		
Shock	MIL-STD-202G Test Condition H, Method 213B 30G vertical and 35G horizontal shock	MIL-STD-202G Test Condition H, Method 213B 30G vertical and 35G horizontal shock
Vibration	MIL-STD-202G, Test Condition B, Method 204D 5G in all axes	MIL-STD-202G, Test Condition B, Method 204D 5G in all axes
Immersion	MIL-STD-202G, Method 104A	MIL-STD-202G, Method 104A
Salt Fog	Rated to withstand continuous exposure to salt water and spray	Rated to withstand continuous exposure to salt water and spray
Ice Loading	Rated to withstand 22kg/m²	Rated to withstand 22kg/m²
Wind Exposure	Rated to withstand 140knots	Rated to withstand 140knots
Hail Impact	Rated to withstand 25mm diameter ice ball impact at 20m/s	Rated to withstand 25mm diameter ice ball impact at 20m/s
Humidity	0 – 100%, condensing	0 – 100%, condensing
Driving Rain	at 45° from vertical	at 45° from vertical
Certifications		
CE & Electrical	FCC Part 15 Rules & ICES-003. EN61000-6-1: 2007 (IEC61000-6-1:2005) Part 6-1 Immunity. EN61000-6-3: 2007 (IEC61000-6-3: 2006) Electromagnetic compatibility (EMC) - Part 6-3 Emission. IEC61000-4-2: 2008 Ed 2 Part 4-2 Electrostatic discharge immunity test Level 4. IEC61000-4-3: 2010 Ed 3.2 Part 4-3. Radiated, radio-frequency, electromagnetic field immunity. IEC61000-4-6: 2008 Ed3. , Electromagnetic compatibility (EMC) - Part 4-6 Immunity.	FCC Part 15 Rules & ICES-003. EN61000-6-1: 2007 (IEC61000-6-1:2005) Part 6-1 Immunity. EN61000-6-3: 2007 (IEC61000-6-3: 2006) Electromagnetic compatibility (EMC) - Part 6-3 Emission. IEC61000-4-2: 2008 Ed 2 Part 4-2 Electrostatic discharge immunity test Level 4. IEC61000-4-3: 2010 Ed 3.2 Part 4-3. Radiated, radio-frequency, electromagnetic field immunity. IEC61000-4-6: 2008 Ed3. , Electromagnetic compatibility (EMC) - Part 4-6 Immunity.
IALA	Signal colours compliant to IALA E-200-1	Signal colours compliant to IALA E-200-1
Quality Assurance	ISO9001:2015	ISO9001:2015
Waterproof	IP68	IP68
Intellectual Property		
Trademarks	SEALITE® is a registered trademark of Sealite Pty Ltd	SEALITE® is a registered trademark of Sealite Pty Ltd
Warranty *	3 years	3 years
Options Available	<ul style="list-style-type: none"> • GPS Synchronisation • AIS Type 1 or Type 3 • GSM Monitoring & Control System • RS232/422/485 Communication Port • General purpose input & output • Variety of solar/battery configurations • Serial programming cable • Hard-wire Synchronisation 	<ul style="list-style-type: none"> • GPS Synchronisation • AIS Type 1 or Type 3 • GSM Monitoring & Control System • RS232/422/485 Communication Port • General purpose input & output • Variety of solar/battery configurations • Serial programming cable • Hard-wire Synchronisation

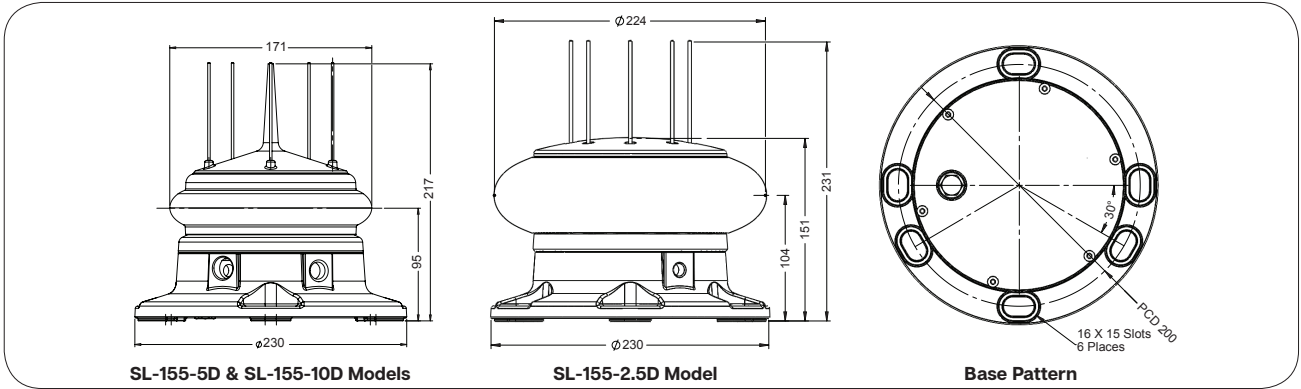
† Intensity setting subject to solar availability

* Subject to standard terms and conditions

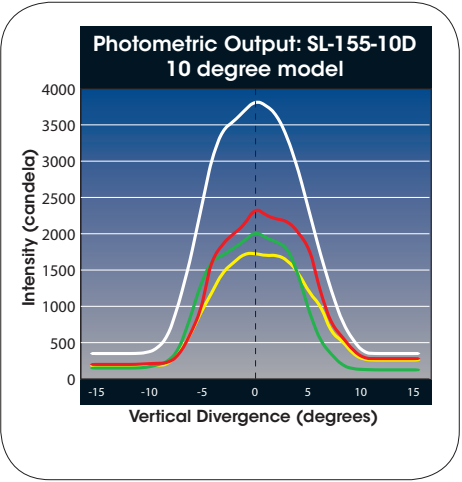
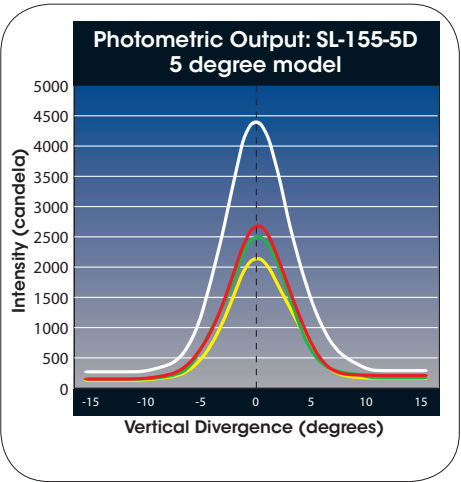
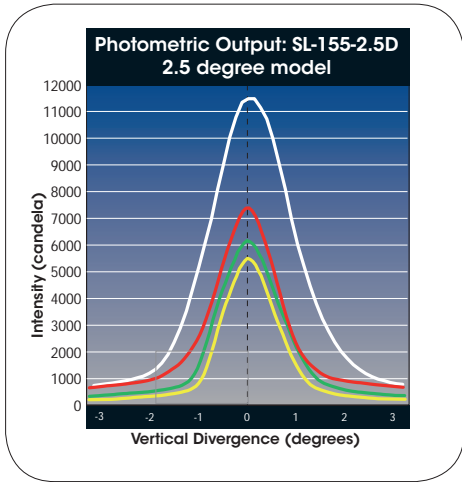
• Specifications subject to change or variation without notice
^ Refer to the Sealite website under the warranty section



Technical Illustration



Optical Performance				
Maximum luminous intensity (cd)				
	RED	GREEN	WHITE	YELLOW
2.5deg	7,357	6,052	11,505	5,414
5deg	2,765	2,796	4,611	2,778
10deg	2,581	2,213	3,910	2,041



* Specifications subject to change or variation without notice
 * Subject to standard terms and conditions
 * Intensity setting subject to solar availability
 ^ Refer to the Sealite website under the warranty section



We believe technology improves navigation™



Sealite Pty Ltd
Australia
☎ +61 (0)3 5977 6128

Sealite Asia Pte Ltd
Singapore
☎ +65 6829 2243

Sealite United Kingdom Ltd
UK
☎ +44 (0) 1502 588026

Sealite USA LLC
USA
☎ +1 (603) 737 1311

