

1500mm dia. Navigation Buoy

SL-1500

Sealite have a range of mooring chains & accessories - ask your representative today how we can supply your complete mooring solution



Environmentally Friendly & Recyclable

Sealite buoy products are made from recyclable materials. As a service to customers, individual components and products at the end of their service life may be returned to Sealite for recycling.

Optional Mould-in Graphics Available



Sealite's SL-B1500 is an extremely robust, high visibility 1500mm dia. navigation buoy perfect for a variety of installations including inland waterways, harbour and coastal nav aids.

The SL-B1500 has a one-piece, rotationally-moulded float section which incorporates an internal stainless steel brace that is linked between the lifting and mooring eyes. This brace ensures even stresses across the buoy during lifting, creating an incredibly robust AtoN with a service life of up to 20 years.

The top section of the buoy is also rotationally-moulded from UV-stabilised, virgin polyethylene, and can be fitted with top marks and lantern to suit any IALA recommended buoy configuration required. The buoy has direct lantern attachment points for a variety of Sealite solar lights.

Polyethylene buoys require minimal maintenance; they never have to be painted, and the polyethylene inhibits marine growth therefore increasing the interval between servicing. The lightweight but strong polyethylene also means routine maintenance may be performed onsite.

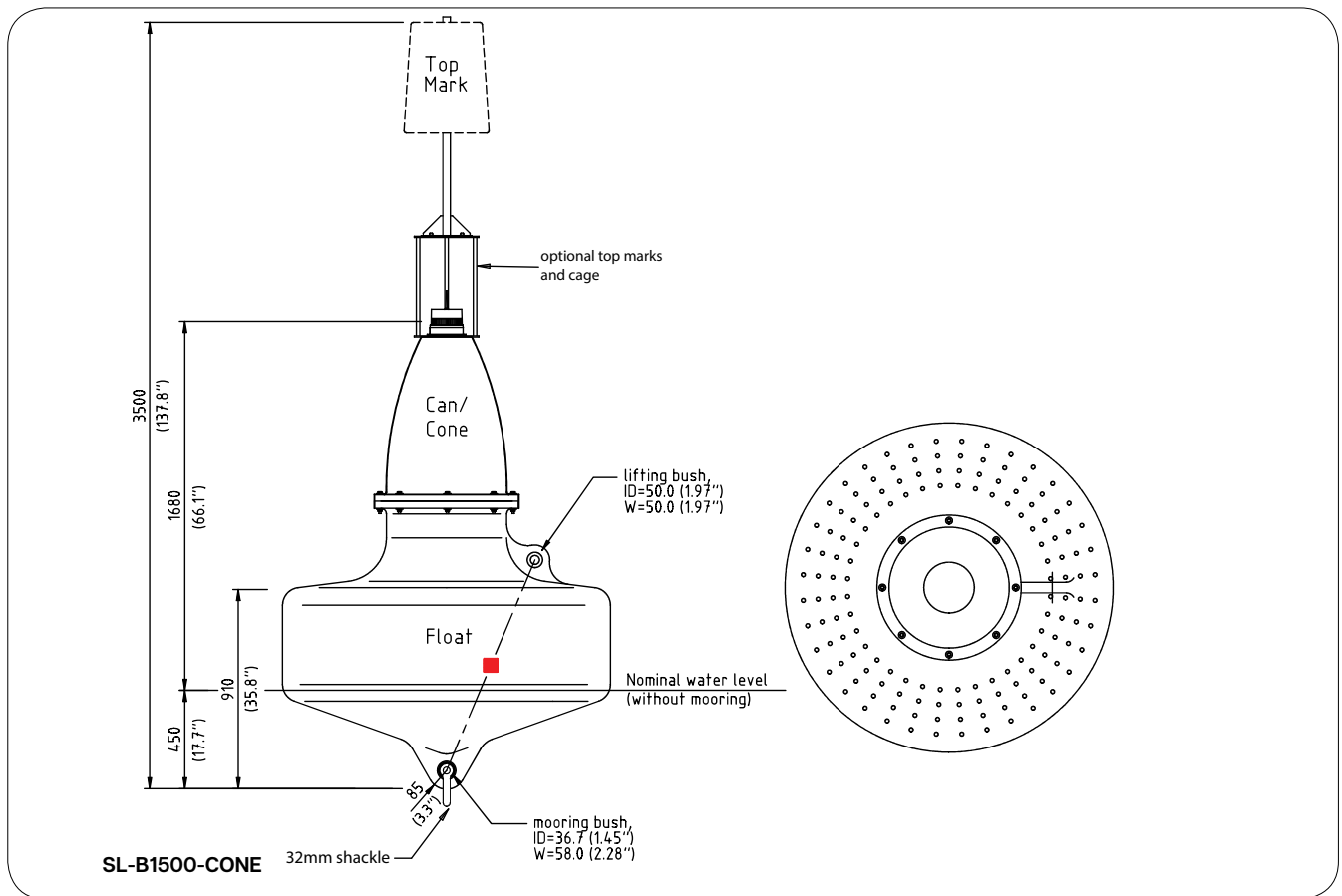
The SL-B1500 is environmentally-friendly and recyclable.



The Sealite Advantage

- High visibility red, green, white or yellow as per IALA recommendations
- Complete unit - ready for immediate installation
- Complete unit - ready for immediate installation
- Excellent buoyancy & stability
- 316-grade moulded-in tie bar provides outstanding lifting strength and corrosion protection
- Replaceable mooring bush inserts

Technical Illustrations



Technical Specifications*

SL-B1500	
General Characteristics	
Available Colours	Red, Green, White, Yellow as per IALA Recommendations
Focal Plane Height (mm/inches)	1680 / 66 $\frac{1}{8}$
Total Float Volume (Itrs/US gallon)	1120 / 296
Nominal Freeboard (mm/inches)	460 / 18 $\frac{1}{2}$
Nominal Draft (mm/inches)	450 / 17 $\frac{3}{4}$
Total Reserve Buoyancy (kgs/lbs)	933 / 2056
Operational Buoyancy (kgs/lbs)	280 / 617
Maximum Mooring Load (kgs/lbs)	280 / 617
Draft, Maximum (mm/inches)	605 / 23 $\frac{3}{4}$
Freeboard, Minimum (mm/inches)	300 / 11 $\frac{3}{4}$
Safe Working Load, 1pt (kgs/lbs)	2300 / 5070
Submergence (kg/cm, lb/inches)	18.2 / 101.9
Physical Characteristics	
Material	Rotationally-moulded UV-stabilised virgin polyethylene, internal 316-grade stainless steel bracing
Wall Thickness (mm/inches)	12 / $\frac{1}{2}$ (float section), 7 / $\frac{1}{4}$ (top section)
Ballast (kg/lbs)	70 / 154
Filling	Closed-cell polyurethane foam (float section)
Height (mm/inches)	3500 / 137 $\frac{3}{4}$
Width (mm/inches)	1500 / 59 $\frac{1}{4}$
Mass (kg/lbs)	220 / 485
Product Life Expectancy	>20 years ^
Certifications	
IALA	Surface colours compliant to IALA E-108
Quality Assurance	ISO9001:2015
Intellectual Property	
Trademarks	SEALITE® is a registered trademark of Sealite Pty Ltd
Warranty *	5 years
Lantern Options	Sealite SL-15, SL-60, SL-70, SL-75, SL-C310, SL-C410, SL-C415 or SL-C420 lantern
Options Available	<ul style="list-style-type: none"> • Custom signage • Sealite IALA recommended top marks • Radar reflector • Access hatch • Solar power supplies

We believe technology improves navigation™



* Specifications subject to change or variation without notice
 * Subject to standard terms and conditions
 * Intensity setting subject to solar availability
 ^ Refer to the Sealite website under the warranty section

