

700mm dia. Marker Buoy

SL-B700

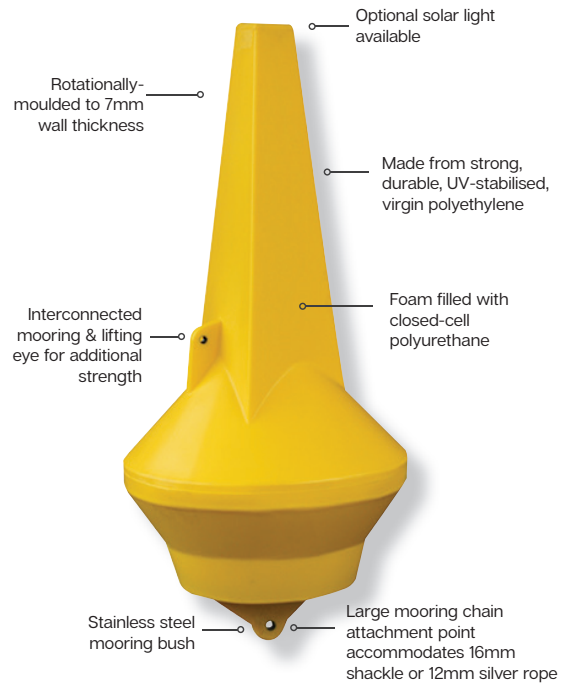
Sealite have a range of mooring chains & accessories - ask your representative today how we can supply your complete mooring solution

Regulatory Style Available



Environmentally Friendly & Recyclable

Sealite buoy products are made from recyclable materials. As a service to customers, individual components and products at the end of their service life may be returned to Sealite for recycling.



The SL-B700 is a short-range buoy ready for immediate installation. Typical applications include day and night channel, speed zone, restricted area marking and aquaculture.

The SL-B700 is extremely long-lasting, and is moulded in strong, durable, UV-stabilised polyethylene. A large mooring chain attachment point accommodates a 16mm shackle or 12mm silver rope.

The SL-B700 incorporates an interconnected mooring and lifting eye for additional strength and flexibility in installation. The top section has 3 threaded studs, moulded into the buoy to enable easy mounting of either the SL-15, SL-60 or SL-70 1-3NM+ solar lights.

The SL-B700 can be economically shipped around the globe, with approximately 105pcs and 210pcs being packed in 20ft and 40ft shipping containers respectively.

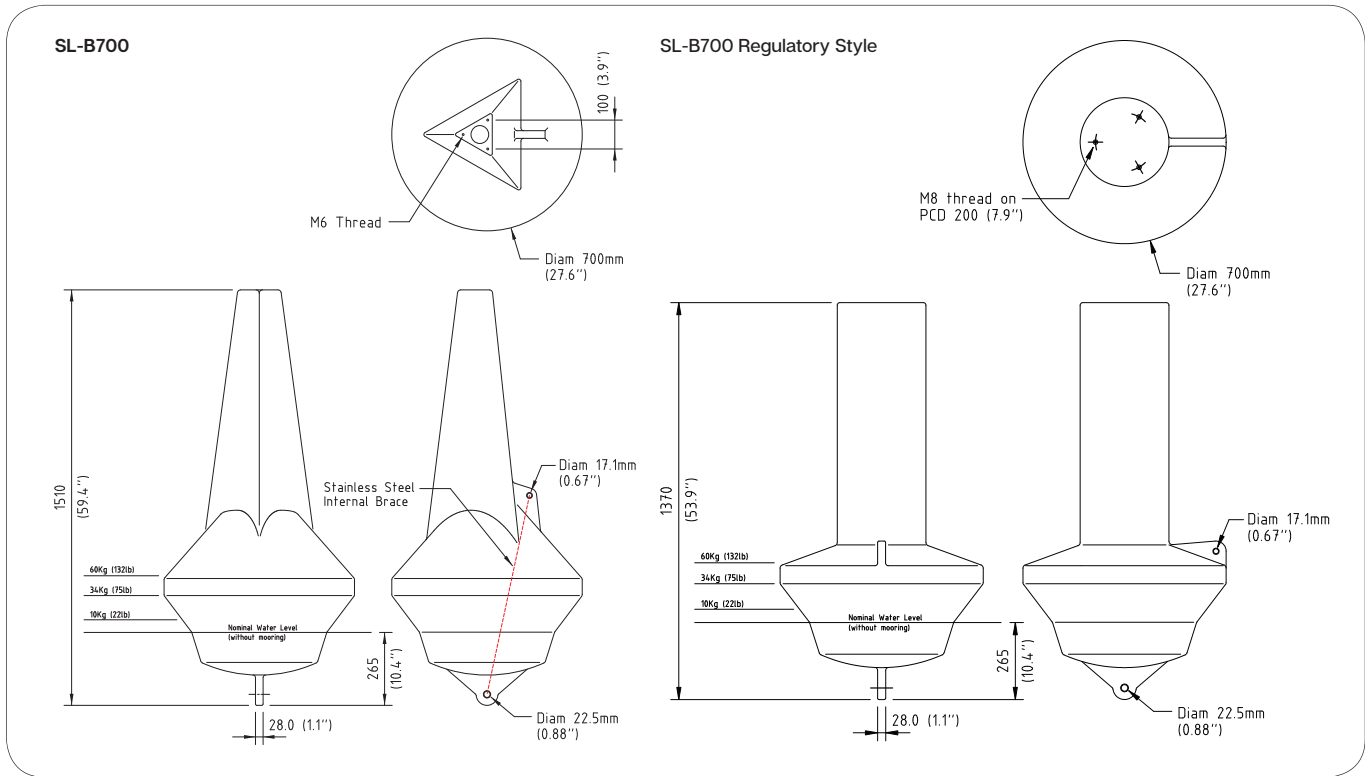


The Sealite Advantage

- High visibility red, green, white or yellow as per IALA recommendations
- Range of mooring equipment & chain available
- Excellent buoyancy & stability
- Mould-in graphics to suit customer requirements



Technical Illustrations



Technical Specifications*

SL-B700	
General Characteristics	
Available Colours	Red, Green, White, Yellow as per IALA Recommendations
Focal Plane Height (mm/inches)	1305 / 51 $\frac{3}{4}$
Total Float Volume (Itrs/US gallon)	170 / 45
Nominal Freeboard (mm/inches)	408 / 16
Nominal Draft (mm/inches)	223 / 8 $\frac{3}{4}$
Total Reserve Buoyancy (kgs/lbs)	132 / 291
Operational Buoyancy (kgs/lbs)	60 / 132
Maximum Mooring Load (kgs/lbs)	60 / 132
Draft, Maximum (mm/inches)	470 / 18 $\frac{1}{2}$
Freeboard, Minimum (mm/inches)	160 / 6 $\frac{1}{4}$
Safe Working Load, 1pt (kg/lbs)	135 / 298
Submergence (kg/cm, lb/inches)	3.8 / 21.6
Physical Characteristics	
Material	Rotationally-moulded UV-stabilised virgin polyethylene
Wall Thickness (mm/inches)	7 / $\frac{1}{4}$
Ballast (kg/lbs)	20 / 44 internal concrete
Filling	Closed-cell polyurethane foam
Height (mm/inches)	1510 / 59 $\frac{1}{2}$
Width (mm/inches)	700 / 27 $\frac{1}{2}$
Mass (kg/lbs)	38 / 84
Product Life Expectancy	Up to 12 years ^
Certifications	
Quality Assurance	ISO9001:2015
Intellectual Property	
IALA	Surface colours compliant to IALA E-108
Trademarks	SEALITE® is a registered trademark of Sealite Pty Ltd
Warranty *	1 year
Lantern Options	Sealite SL-15, SL-60 or SL-70 lantern
Options Available	<ul style="list-style-type: none"> • Custom signage • Regulatory Style



Optional
Mould-in Graphics
Available

We believe technology improves navigation™



Sealite Pty Ltd
Australia
☎ +61 (0)3 5977 6128

Sealite Asia Pte Ltd
Singapore
☎ +65 6829 2243

Sealite United Kingdom Ltd
UK
☎ +44 (0) 1502 588026

Sealite USA LLC
USA
☎ +1 (603) 737 1311



* Intensity setting subject to solar availability

* Subject to standard terms and conditions

* Specifications subject to change or variation without notice
^ Refer to the Sealite website under the warranty section

