



SL-B1250

1250mm Diameter Navigation Buoy



Product Features & Technical Specifications

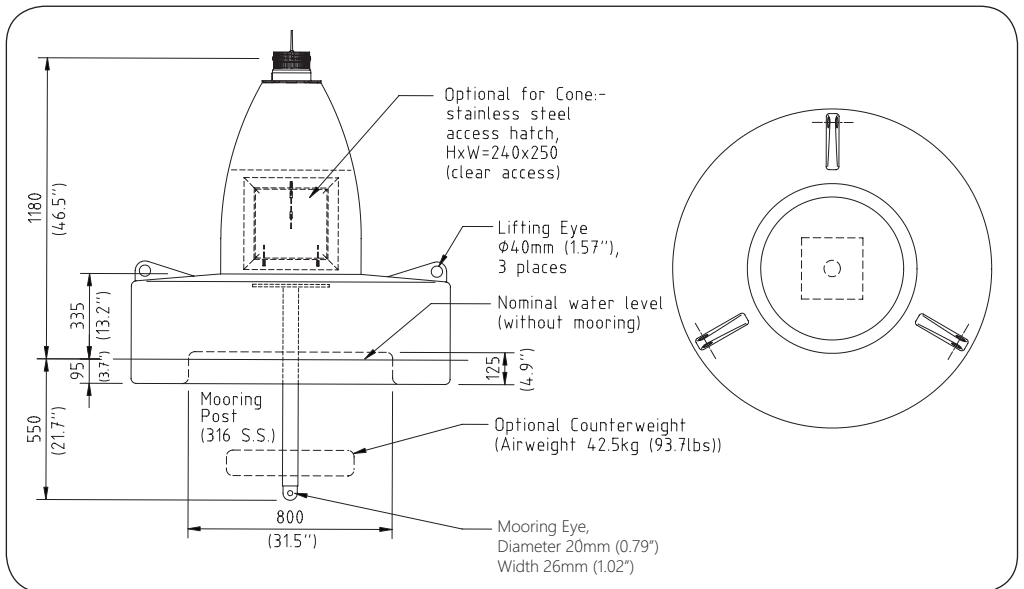
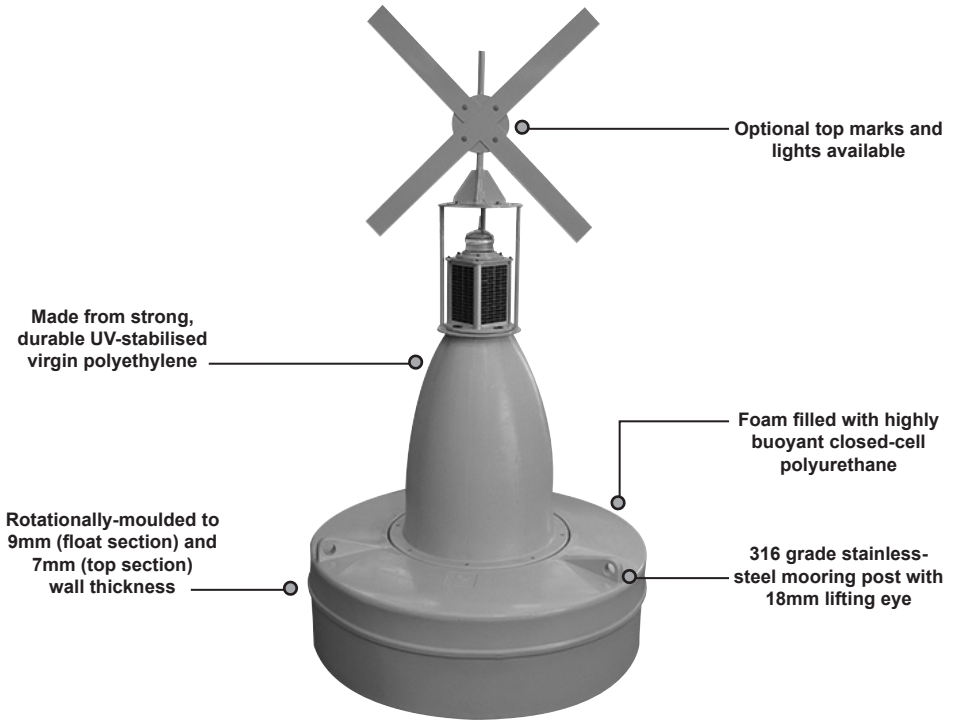
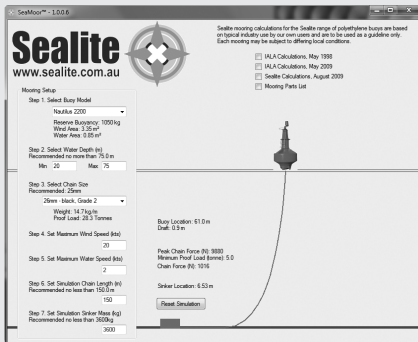


Table of Contents

Introduction	Page 4
Sealite Buoy Division	Page 4
Why Choose Polyethylene Buoys?	Page 4
Mooring Requirements & Regulations	Page 4
SL-B1250 Navigation Buoy	Page 5
Product Components.....	Page 6
Assembly Instructions	Page 7
Mooring Instructions	Page 8
Marine Buoy Maintenance	Page 10
Sealite Buoy Warranty	Page 11

SEAMoor™ - SEALITE MOORING CALCULATOR



As a service to valued customers, Sealite has developed an advanced mooring calculator based in IALA guidelines and experience from major users.

The system simulates site mooring based on local conditions.

Contact Sealite today for a FREE copy.

Version No.	Description	Date	Approved
1.0	Manual Launch	July 2010	M. Henry
2.0	Update: Quality Logo	July 2011	J. Dore
2.1	Update: Spec table	May 2012	J. Dore
2.2	Adjustment to mooring instruction	August 2019	M. Nicholson



Introduction

Congratulations! By choosing to purchase a Sealite Buoy, you have become the owner of one of the most advanced rotationally-moulded polyethylene marine buoys in the world.

Sealite Pty Ltd has been manufacturing buoys for over 25 years, and particular care has been taken to ensure your buoy gives years of service.

As a commitment to producing the highest quality products for our customers, Sealite has been independently certified as complying with the requirements of ISO9001:2015 quality management system.

By taking a few moments to browse through this booklet, you will become familiar with the versatility of your buoy, and be able to maximise its operating function.

Sealite Buoy Division

Sealite marine buoys are manufactured on-site from rotationally-moulded UV-stabilised polyethylene, and are designed to offer a low-maintenance, high visibility solution to marine navigation.

The Sealite buoy division provides turn-key production of navigation buoys. From tooling development, raw materials selection, and production, to final testing and inspection, Sealite guarantees superior quality and fast turn-around times.

Sealite's buoy products are available in a wide range of configurations and sizes, and can be economically shipped worldwide.

Why Choose Polyethylene Buoys?

- No painting
- Inhibits growth
- Increased interval between servicing
- Routine maintenance on location
- Easily repaired in the unlikely event of damage
- Lightweight for ease of deployment and maintenance
- Environmentally friendly – no use of toxic antifouling paint

4. Mooring Requirements & Regulations

Please contact your local authority for any specific requirements regarding the deployment of buoys. IALA also has guidelines and recommendations that should be followed.

All information given in this manual is advisory only. Please consult with your local authority before deploying your buoy products.

Local conditions that need to be considered include:-

- Water depth
- Maximum currents
- Maximum wind speeds
- Sinker size and weight

SL-B1250 Navigation Buoy

The Sealite SL-B1250 is a 1250mm diameter Navigation Buoy and has proven its superior performance in many parts of Australia and around the world for long-range river and sea navigation.

The base is moulded in one-piece, strong , UV-stabilised polyethylene - filled with highly buoyant polyurethane.

A powder-coated extension pole may be supplied to increase the focal height of the Sealite Lantern, as well as an extra base section for extra buoyancy.

SPECIFICATIONS •

General Characteristics

Available Colours	Red, Green, White, Yellow as per IALA Recommendations
Focal Plane Height (mm/inches)	1180 / 46 ¹ / ₂
Total Float Volume (ltrs/US gallon)	610 / 161
Nominal Freeboard (mm/inches)	335 / 13 ¹ / ₈
Nominal Draft (mm/inches)	550 / 21 ² / ₃
Reserve Buoyancy (kgs/lbs)	155 / 342
Maximum Mooring Load (kgs/lbs)	155 / 342
Draft, Maximum (mm/inches)	675 / 26 ² / ₃
Freeboard, Minimum (mm/inches)	210 / 8 ¹ / ₃
Submergence (kg/cm, lb/inches)	12.5 / 70
Visual Area (m ² /ft ²)	0.8 / 8.6

Physical Characteristics

Material	Rotationally-moulded UV-stabilised virgin polyethylene, 316-grade stainless steel mooring pole
Wall Thickness (mm/inches)	9 / ³ / ₈ (float section). 7 / ¹ / ₄ (top section)
Ballast (kg/lbs)	30 / 66 external counter-weight (optional)
Filling	Closed-cell polyurethane foam (float section)
Height (mm/inches)	1180 / 46 ¹ / ₂
Width (mm/inches)	1250 / 49 ¹ / ₄
Mass (kg/lbs)	70 / 154
Product Life Expectancy	Up to 12 years

Certifications

Quality Assurance	ISO9001:2015
-------------------	--------------

Intellectual Property

Trademarks	SEALITE® is a registered trademark of Sealite Pty Ltd
Warranty *	1 year

Lantern Options

Options Available	Sealite SL15, SL60, SL70 or SLC310 lantern <ul style="list-style-type: none"> • Mould-in graphics • Sealite IALA recommended top marks • External ballast • Radar reflector
-------------------	---

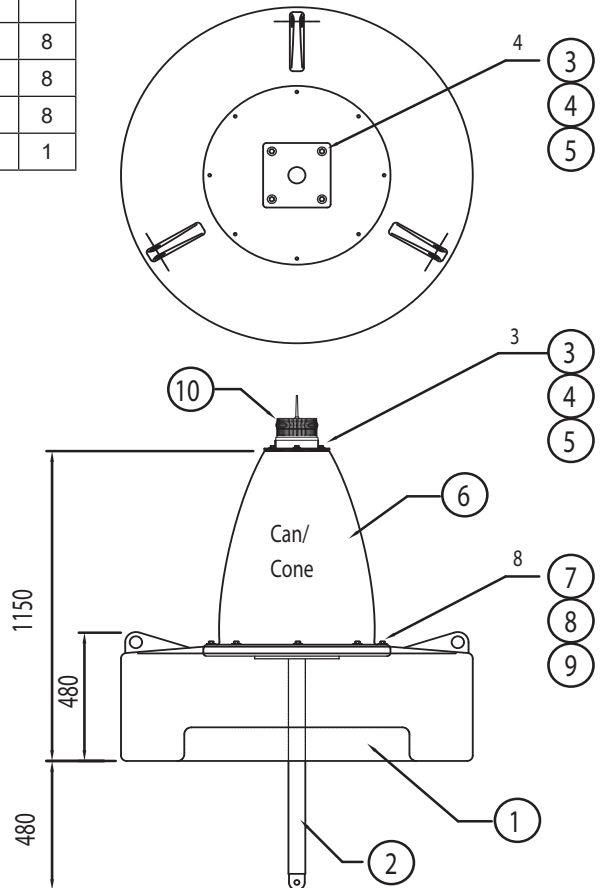
• Specifications subject to change or variation without notice
* Subject to standard terms and conditions



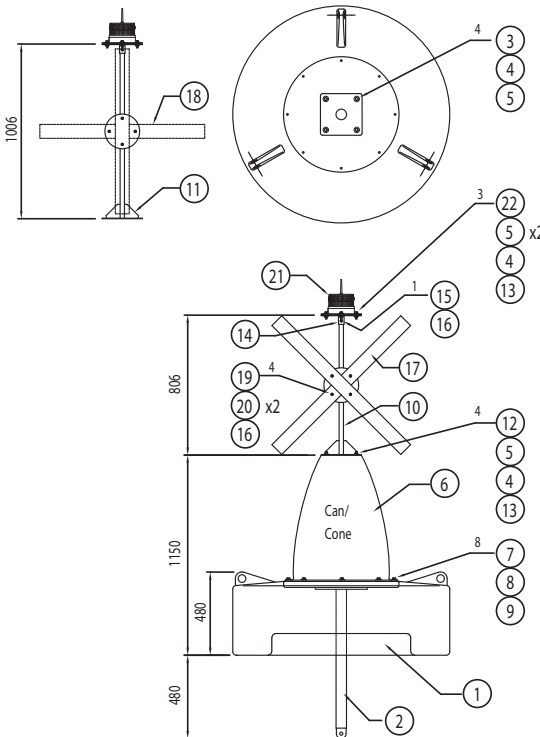


SL-B1250 Product Components

No	Description	Qty
1	SL-B1250 Float (with internal fill)	1
2	SL-B1250 Mooring Post (standard length shown)	1
3	S/S Socket Head Cap Screw, Ø8 x 20 (min Grade 70)	7
4	S/S Spring Washer, Ø8	7
5	S/S Washer, Ø8 x 31 OD	7
6	SL-B1250 Cone or SL-B1250 Can (without internal brace)	1
7	S/S Bolt, Ø10 x 45 (min Grade 70)	8
8	S/S Spring Washer, Ø10	8
9	S/S Penny Washer, Ø10 x 31 OD	8
10	Lantern (SL60 shown)	1



**SL-B1250 with IALA Top Mark:
St Andrew's Cross or Wreck**



No	Description	Qty
1	SL-B1250 Float (with internal fill)	1
2	SL-B1250 Mooring Post (standard length shown)	1
3	S/S Socket Head Cap Screw, Ø8 x 20 (min Grade 70)	4
4	S/S Spring Washer, Ø8	11
5	S/S Penny Washer, Ø8 x 31 OD	14
6	SL-B1250 Cone or Can (with internal brace)	1
7	S/S Bolt, Ø10 x 45 (min Grade 70)	8
8	S/S Spring Washer, Ø10	8
9	S/S Penny Washer, Ø10 x 31 OD	8
10	IALA Top Mark - St Andrew's Cross (post)	1
11	IALA Top Mark - Wreck (post)	1
12	S/S Bolt, Ø10 x 65 (min Grade 70) pre installed	4
13	S/S Plain Nut, Ø8 (min Grade 70)	7
14	SL-B1250 Top Mark Lantern Mount	1
15	S/S Bolt, Ø6 x 40 (min Grade 70)	1
16	S/S Self Locking Nut, Ø6	5
17	IALA Top Mark - St Andrew's Cross	1
18	IALA Top Mark - Wreck	1
19	S/S Bolt, Ø6 x 16 (min Grade 70)	4
20	S/S Flat Washer, Ø6	8
21	Lantern (SL60 Shown)	1
22	S/S Socket Head Cap Screw, Ø8 x 25 (min Grade 70)	3

SL-B1250 Assembly Instructions

Check Components

- Unload all components from crate or container.
- Check all components are complete and correct. Use assembly diagram on following page for full list of components.

Assembly

- Fit the mooring post through the float section and secure into place using 4 x M8 x 20 socket head cap screws, spring washers and flat washers.
- Fit the top section to the float section using 8x M10 x 45mm stainless steel bolts, M10 x 31 flat washers and M10 spring washers.
- Fit the top mark assembly and lantern to the top section using M8 x 65 (pre-assembled), M8 x 31 OD flat washer, M8 spring washer and M8 nuts.
- Check the light operation. Cover light with a dark jacket or towel and allow 60 seconds for the light to activate.
- Fit the D shackle to the mooring point.



SL-B1250 Mooring Instructions

Check Components

- Unpack all Mooring and check all components are complete and correct.

Prepare & Attach Chain

- Fit and secure 1 x Ø16mm Shackle and 1 x Ø16mm Swivel Eye to the base of the bridle.

Note: All Shackles must be positively locked. For example use 3mm Stainless Steel wire to lock the pin eye, or use a use a shackle pin with nut and split pin.

Note: When using synthetic mooring or in shallow waters (<4 metres), optional external ballast/ counterweights should be used. Refer drawing on page 9 of this manual.

- Fit and secure a length of chain to the Swivel Eye using 1 x Ø16mm Shackle.

Note: Please use the guides below to determine the correct chain size and length.

Attach Mooring Block

- Fit and secure the Chain to the Mooring Block.
- The Buoy is now ready for deployment.

Chain Length Guide

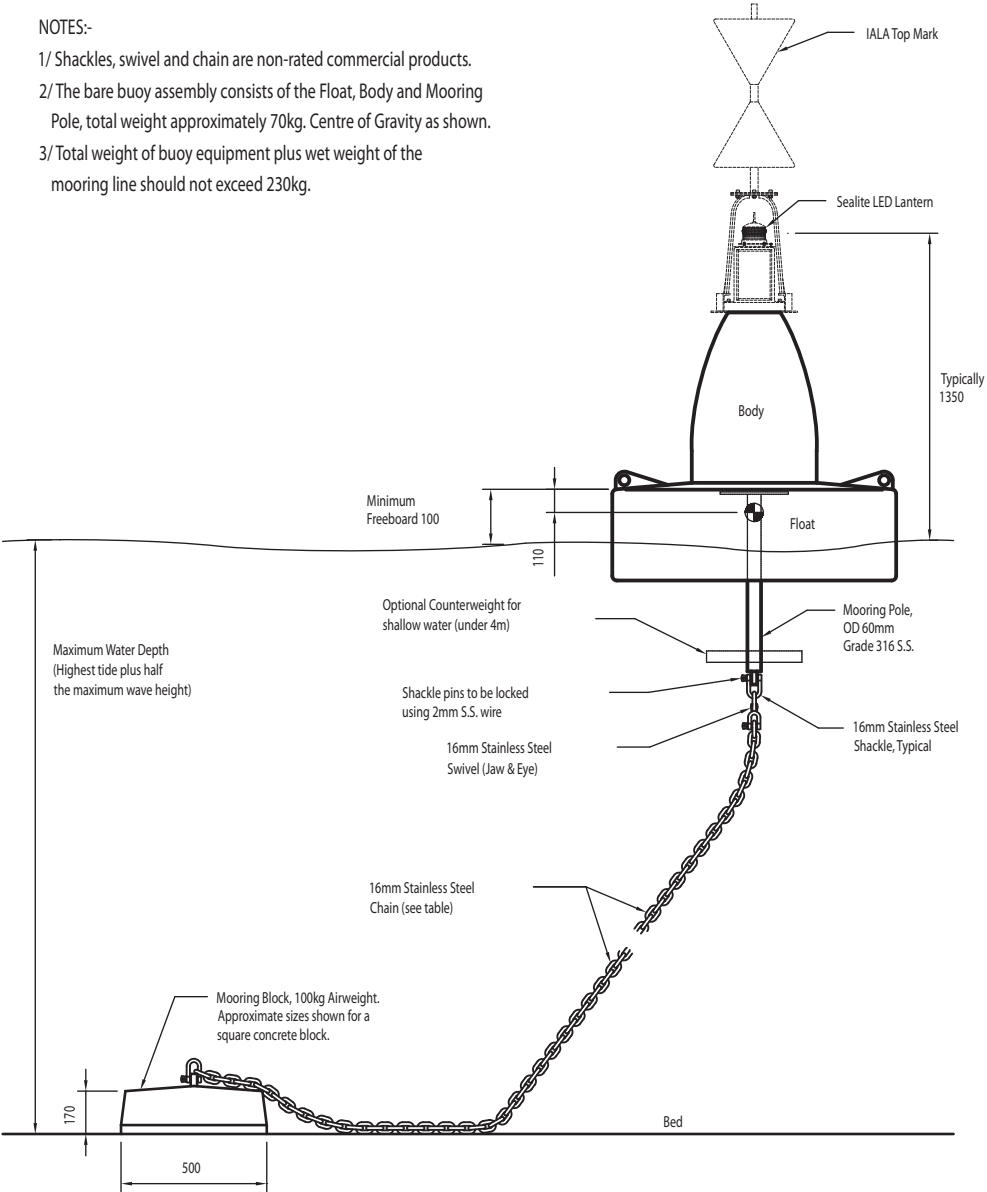
	Recommended Length of Chain	Maximum Water Depth
Best Practice	3 x Water Depth	17.5m
For Reduced Water Circle (use only where current <2kts)	Not less than 2 x Water Depth	25m

Note:

Recommendations given herein are advisory only. As each buoy installation varies, the buoy operator should establish fitness for purpose prior to installation

NOTES:-

- 1/ Shackles, swivel and chain are non-rated commercial products.
- 2/ The bare buoy assembly consists of the Float, Body and Mooring Pole, total weight approximately 70kg. Centre of Gravity as shown.
- 3/ Total weight of buoy equipment plus wet weight of the mooring line should not exceed 230kg.





Marine Buoy Maintenance

Sealite Marine Buoys are designed to require very little maintenance. We recommend the buoy be inspected annually. Inspection may need to increase depending on the local conditions and the position of the buoy.

IALA Recommendation AISM E-107 suggests moorings are inspected annually.

Marine Buoy – Annual Maintenance

- Visually inspect buoy for damage.
- Inspect the top mark for any damage. Repair any broken or damaged section.
- Clean buoy of animal debris.

Mooring – Annual Maintenance

- Check and clear the tail and ride chains from shells and algae.
- Check for wear on any shackle axis and check the tapered pins. Any worn shackles must be replaced.
- Check the free movement of each swivel around its head. If any swivel head sticks it must be replaced.
- Check every link of the thrash length of the chain. Check the diameter of the nips and sides and also inspect the welds on every link.
- If depth allows, a worn riding chain may be reversed.
- Change a chain when any link shows excessive wear.
- Chain must be replaced if any link wears to less than 3/5 of the original diameter.

Mooring – Biannual Maintenance

- Inspect the ground chain and sinker.

Lantern – Maintenance

- Please refer to the Installation Manual for the specific marine lantern fitted to the buoy.

Sealite Buoy Warranty

Refer to Sealite website: www.sealite.com



We believe technology improves navigation™

sealite.com info@sealite.com

Sealite Pty Ltd
Australia
+61 (0)3 5977 6128

Sealite Asia Pte Ltd
Singapore
+65 6908 2917

Sealite United Kingdom Ltd
UK
+44 (0) 1502 588026

Sealite USA LLC
USA
+1 (603) 737 1311